

THE POWER OF BRICK

IN THE SIZE OF A SLICE OVEN



MB SLICE

brick-lined slice oven

24" Deep Baking Chamber

Stackable

32" Deep Slice Oven Design



Setting the New Standard.

MB SLICE

SPECIFICATIONS

24" Deep Baking Chamber

Stackable

32" Deep Slice Oven Design

Marsal's Slice Oven is the ideal addition for heating up slices or cooking full-size pies while saving space. It Delivers the same great bake of any MB Series oven with a cooking chamber only 24 inches deep.

Available in two different MB sizes, the slice ovens are equipped with same features as larger size MB models and deliver the same great bake and quality taste. All models are stackable.

**Same power.
Smaller size.**



175 E. Hoffman Ave.
Lindenhurst, NY 11757

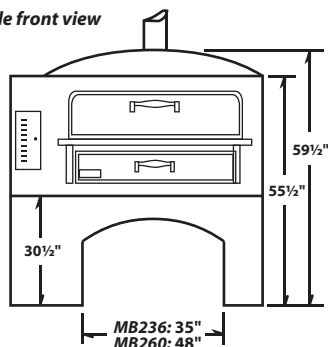
www.marsalsons.com

(631) 226-6688
F. (631) 226-6890

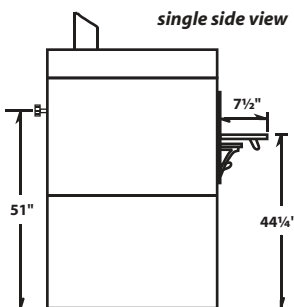


Made in the USA

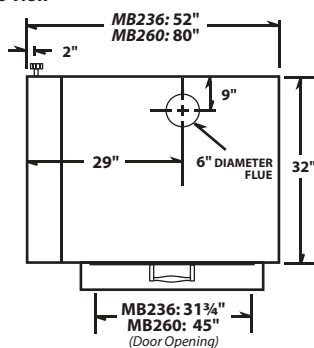
single front view



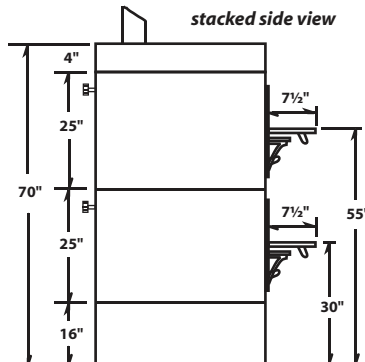
single side view



top view



stacked side view



Specifications

	MB 236	MB 260
Height: Single/Stacked	59½" / 70"	59½" / 70"
Overall Size:	32" x 52"	32" x 80"
Cooking Surface	24" x 36"	24" x 60"
BTUs	50,000	80,000
Weight: Single/Stacked	780 / 1470 lbs	1150 / 2200 lbs

